

30.72	Signs	1
30.72.010	Purpose	1
30.72.020	DELETED – Signs Prohibited	1
30.72.030	DELETED – Exempt Signs	1
30.72.040	Requirements of General Applicability	1
30.72.050	On-Premise Signs	3
Table 30.72-1:	On-Premise Signs	4
30.72.055	Comprehensive Sign Plan	12
30.72.060	DELETED – Off-Premise Signs	12
Table 30.72-2	DELETED – Off-Premise Sign Requirements	12
30.72.070	Temporary Signs	12
Table 30.72-3	Temporary Signs⁶	15

30.72 Signs

30.72.010 Purpose. The purpose of the sign regulations contained in this chapter is as follows:

- A.** To preserve the non-commercial character of residential neighborhoods; to provide reasonable yet appropriate conditions for identifying businesses and services rendered in non-residential districts by controlling the size, type and design of signs in relationship to the type and size of the establishment; and to maintain and enhance the aesthetic environment.
- B.** To reduce traffic hazards by restricting signs and lights which exceed the viewer's capacity to receive information or which increase the probability of impeded traffic or accidents created by distracted attention or obstructed vision. (Ord. 2851 § 3, 3/2003)

30.72.020 DELETED – Signs Prohibited. (Ord. 3019 § 4, 2/2004)

30.72.030 DELETED – Exempt Signs. (Ord. 3019 § 5, 2/2004; Ord. 2959 § 2, 10/2003; Ord. 2852 § 1, 2/2003; Ord. 2787 § 2, 9/2002; Ord. 2573 § 15 (part), 2001; Ord. 2521 § 2, 2000)

30.72.040 Requirements of General Applicability. All signs, advertising displays, and structures regulated by this Chapter, shall adhere to the following provisions.

- 1. External Bracing.** Except for poles supporting freestanding signs, but including single support freestanding signs (pole signs), all bracing and support structures for signs visible from a street or residential development shall be decorative or covered. Single support freestanding signs (pole signs) shall use decorative pole covers that integrate the colors, materials, architectural features, or other appropriate design components of the principal buildings within the same site development to prevent visibility of any structural element.
- 2. Abandoned Displays.** Abandoned displays or those advertising activities of a defunct or inoperative nature must be moved within 90 days of notification to property owner, owner of the business advertised, or owner of the sign.
- 3. Maintenance.** All signs, advertising displays, and structures as regulated by this Chapter shall be maintained by the owner of the sign or property in a safe and readable manner, and shall be kept free and clear of all obnoxious substances, materials, rubbish or weeds.
- 4. FAA Limitations.** Unless permitted pursuant to Table 30.16-6 or 30.16-7, no signs, advertising displays, or structures shall exceed those design standards specified in Chapter 30.56, nor any recommendation of the Director of Aviation in regard to obstructions of visibility by height, area or lighting thereof.
- 5. Location Provisions.** No sign shall be placed in any of the following locations:
 - A.** Within the right-of-way of any highway, road or other public easement, or within a future right-of-way, except for permanent lettering attached to a motor vehicle in compliance with Chapter 14.10 of the Clark County Code, wall signs on building for monorail stations or touchdown structures per NRS 484B.313, or signs allowed per NRS 405.110; however, temporary signs may be permitted within future rights-of-way.
 - B.** Within a drainage channel.
 - C.** Within a sight zone as established in Chapter 30.52.
 - D.** So as to interfere with, mislead, obstruct the view of, or be confused with any directional, warning, danger, signal or informational sign or structure, either required by law or established by local authority
 - E.** So as to prevent free ingress and egress from any door, window or fire escape, or attached to any standpipe or fire escape.

- 6. Sign Area and Sign Faces.** “Sign Area” means the entire area within a continuous perimeter enclosing the extreme limits of sign display within 4 right angles, except for wall or awning sign area calculations based on letter height/building width per Table 30.72-1. The square footage of signs shall be measured on only 1 side of a 2 sided sign (if the interior angle exceeds 45 degrees, the area of both sign faces shall be measured), and on 2 sides of a 3 sided or 4 sided sign, or on 1 face of a multi-vision sign.
- 7. Awnings.** Signs are permitted on architectural building features such as awnings, with all regulations applying to text and logos only.
- 8. Orientation.** Freestanding, monument, trespassing, directional, temporary off-premises for sale, construction, and temporary on-premises signs shall be considered to face the street to which they are most nearly perpendicular.
- 9. Alternative Signs and Sign Standards.** It is recognized that individual sites may present unique characteristics, including site shape and location, and the design of existing and proposed structures (e.g. Roof Signs) could be best developed through the application of alternative signs or standards which depart from the requirements of this Chapter. In certain circumstances, such alternative signs or standards may be considered beneficial by the Commission or Board as a tool to achieve the land development policies of the County. In such cases, the Board or Commission may approve alternative signs or standards for on-premises and temporary signs through the waiver of development standards or, for resort hotels, the design review application process, according to the procedures outlined in Tables 30-16-7 and 30.16-9 of this Title respectively, subject to finding that the alternative signs or standards will:
 - A.** Result in development having a visual character which is as or more compatible with adjacent development than anticipated by the requirements of this Chapter;
 - B.** Encourage a development trend or a visual character similar to that anticipated by the requirements of this Chapter; or
 - C.** Result in a development which meets or exceeds all other requirements of this Title.
- 10. Non-Commercial Messages.** Anywhere a display, structure, or sign is permitted by Title 30, a non-commercial message may be placed on such display, structure, or sign. The approval authority shall not consider the content of speech or the viewpoint of the speaker when deciding to approve or deny an application for a sign (also see the definitions for signs established in 30.08.030).
- 11. Flags.** Up to 3 non-commercial flags are permitted on any improved lot or parcel of land, provided no flag overhangs a property line or public right-of-way when fully extended, and further, that any pole or structure is set back a minimum of 10 feet from any property line or public right-of-way line and does not exceed the maximum height for principal structures within the zoning district (except as permitted in 30.56.045). Flags with a commercial message shall satisfy the requirements for off-premises, on-premises, or temporary signs, whichever is applicable.
- 12. Hazardous, Misleading, and Immoral Messages.** Signs shall not do any of the following:
 - A.** Imitate or simulate any traffic control device or structure, or directional sign, in size, shape, color, or other appearance.
 - B.** Emit any sound as a part of the advertising message.
 - C.** Provide misleading, erroneous or false information or advertising about the uses permitted on the property.

- D. Contain messages or pictures of specified anatomical areas or sexually specified activities as described in subsections 8 and 9 of the definition of adult use in Section 30.08.030.
- 13. Luminance.** All signs shall comply with the following, except those signs located within the Las Vegas Boulevard Gaming Corridor, as defined in NRS 463.3076:
- A. Signs shall not increase lighting levels by more than 0.3 foot candles over ambient levels as measured using a foot candle meter at the following pre-set distances:

i. For Sign Areas up to 11’x22’	150’
ii. 10’6”x36’ Bulletin	200’
iii. 14’x48’ Bulletin	250’
iv. 20’x60’ Bulletin	350’
 - B. Signs shall not interfere with any traffic control devices.
 - C. Ambient light monitors are required that enable sign brightness to adjust to outside conditions.
 - D. Sign display must immobilize in the event of a screen malfunction.
- 14. Pennant Signs.** Streamers, pennants or strings of pennants, no more than 24 inches in total height, are permitted surrounding an approved outdoor retail display. The minimum height shall not be less than 14 feet above the ground where located in an area subject to vehicular traffic, nor less than 8 feet above the ground in any other location.
- 15. Prohibited Structures.** The following types of sign structures are prohibited:
- A. Portable or mobile signs unless permitted as a temporary, special attraction/promotional sign.
 - B. Signs placed on parked vehicles, trailers or parked commercial vehicles, whose apparent purpose is to advertise a product or to direct people to a business or activity located on the same or any other property.

(Ord. 4658 § 16, 1/2019; Ord. 4559 § 13, 1/2018; Ord 4275 § 12 (part), 3/2015; Ord. 4077 § 15 (part), 2/2013; Ord. 3741 § 5, 3/2009; Ord. 3635 § 11 (part), 6/2008; Ord. 3472 § 13 (part), 1/2007; Ord. 3061 § 5, 5/2004; Ord. 3019 § 6, 2/2004; Ord. 2961 § 10, 10/2003; Ord. 2787 § 3, 9/2002; Ord. 2573 § 15 (part), 2001; Ord. 2510 § 15 (part), 2000)

30.72.050 On-Premises Signs. The regulations listed in Table 30.72-1 below apply to on-premises signs and include additional Residential Protection Standards established for on-premises freestanding signs. All the property within a commercial complex, including shopping centers and business parks, which contains more than 1 user and shares common parking or vehicular access shall also be considered on the same property (See Figure 30.72-1). Property located within the Transition Corridor, Red Rock Design Overlay, CMA Area Design Overlay, Asian Design Overlay, and the Moapa Valley Overlay Districts, as well as a building, structure or site with a Historic Designation are subject to additional requirements and restrictions per Chapter 30.48 (see respective PARTS). In addition, for development within the SOSA Design Overlay District, see Chapter 30.48 PART M for further sign guidelines.

(Ord. 4839 § 15, 1/2021; Ord. 4487 § 5, 6/2017; Ord 4275 § 12 (part), 3/2015; Ord. 4240 § 3, 11/2014; Ord. 4193 § 5, 4/2014; Ord 3955 § 10, 6/2011; Ord. 3720 § 7, 12/2008; Ord. 3521 § 4, 6/2007; Ord. 3397 § 12 (part), 6/2006; Ord. 3382 § 4, 5/2006; Ord. 3055 § 9, 4/2004; Ord. 3019 § 7 (part), 2/2004; Ord. 2832 § 6, 12/2002; Ord. 2787 § 4, 9/2002)

Table 30.72-1: On-Premises Signs								
Districts and/or Uses	Sign Regulations							
	Permitted Sign Types	Other Conditions	Maximum Area (limits w/in four (4) right angles except wall/awning signs)	Number of Signs	Height		Setbacks	Minimum Separations
					Minimum	Maximum		
<ul style="list-style-type: none"> • All Residential Districts • CRT • C-P AND <ul style="list-style-type: none"> • Special Uses Within These Districts⁷ • See Section 30.72.055 to modify regulations within C-P district 	Directional	Only in multiple family, CRT, C-P and in conjunction with a special use	4 sq. ft. OR 8 sq. ft. in C-P	2 per entrance/exit		7'	10' from back of curb OR 2' from property line or future right-of-way, whichever is greater	
	Freestanding*	Only in conjunction with special uses and boarding stables AND shall be located within curbed landscaped or rockscaped area which extends no less than 2 feet from base of sign AND may not be located along a freeway.	1 sq. ft. per linear foot of street frontage ^{1, 8} OR 10 sq. ft. for boarding stables	1 freestanding sign (if permitted) OR 1 monument sign	If sign overhangs a drive aisle, then 14' from grade to lowest point of sign Boarding stable signs shall not overhang a drive aisle	35' unless greater height approved by special use permit OR restricted height is required by Residential Protection Standards below ⁵ 7' maximum for boarding stables	10' from street or future right-of-way	Must be 60' from any single family residential use EXCEPT boarding stables
	<p>Residential Protection Standards: Any freestanding sign for a special use which is located within 200' of, on the same side of the street as, and visible from a single family residential use <i>is subject to the following additional requirements:</i></p> <ol style="list-style-type: none"> 1. Maximum height of 28' (also see footnote #5). <i>Exception:</i> Height may be increased up to 65' with a use permit to establish collocation of communication towers/antennas. 2. May be directly illuminated with white light or internally illuminated. 3. A freestanding sign shall not be permitted in conjunction with a special use on property less than 1 acre in size that is adjacent to a single family development. 							
	Monument	Not permitted within single family residential development and shall be located within curbed landscaped or rockscaped area which extends no less than 2' from the base of sign	70 sq. ft (area of separate base not included) OR 10 sq. ft. for boarding stables or special use	1 freestanding sign (if permitted) OR 1 monument sign EXCEPT in the C-P district only 1 monument sign per pad site PLUS 1 monument sign per street frontage		10' OR 7' for boarding stables	2' from property line or future right-of-way	If within 60' of a single family residential use, shall be non-illuminated or oriented to prevent direct illumination toward the residential use

Table 30.72-1: On-Premises Signs								
Districts and/or Uses	Sign Regulations							
	Permitted Sign Types	Other Conditions	Maximum Area	Number of Signs	Height		Setbacks	Minimum Separations
					Minimum	Maximum		
<ul style="list-style-type: none"> • All Residential Districts • CRT • C-P AND <ul style="list-style-type: none"> • Special Uses Within These Districts⁷ <ul style="list-style-type: none"> • See Section 30.72.055 to modify regulations within C-P district 	Nameplate	Must be mounted on a building façade AND may only be directly illuminated with subdued white light. Reverse pan channel letters shall be used (metal letters not mounted flush to the wall, light radiates from inside the letter to the wall, no visible light source from the front of the sign) to create halo effect, AND must also be mounted on building in CRT or C-P Districts	3 sq. ft. per occupant	1 per each side of road providing access to a subdivision OR 1 per commercial building and tenant within CRT and C-P Districts		Shall not extend above height of wall	Shall not cross property line	
	Project Identification Sign	Must be located at primary entrance(s) or corners of a project AND must be constructed of materials and color accents that are consistent with the project's overall design theme	70 sq. ft. (area of separate base not included)	2 per project's primary entrance(s) and 1 per corner		10'	2' from property line or future right-of-way	None from other project identification signs AND 100' from any monument or freestanding sign
	Trespassing/ Dumping Prohibited		16 sq. ft.	1 per 300 linear feet of property line OR 1 per vehicular and pedestrian ingress/egress, whichever is greater		8'	None	100' from any other sign on same side of street

Table 30.72-1: On-Premises Signs								
Districts and/or Uses	Sign Regulations							
	Permitted Sign Types	Other Conditions	Maximum Area	Number of Signs	Height		Setbacks	Minimum Separations
					Minimum	Maximum		
<ul style="list-style-type: none"> • All Residential Districts • CRT • C-P <p>AND</p> <ul style="list-style-type: none"> • Special Uses Within These Districts⁷ • See Section 30.72.055 to modify regulations within C-P district 	Wall	<p>Only allowed within CRT and C-P Districts. Shall not face adjacent residential development unless separated by a street. Display surface shall be parallel to supporting wall. Shall not project more than 3' from building. Shall not project beyond end, bottom, or top of wall to which sign is attached</p> <p>OR</p> <p>May be located on any parapet when the parapet is integral to the overall building design</p>	50 sq. ft. per building elevation	1 per building elevation		<p>No maximum height for overall sign</p> <p>AND</p> <p>Average letter height of 4' if development is less than 5 gross acres or 6' if 5 or more gross acres</p>	3' maximum intrusion into setback for sign and architectural intrusion combined	

Table 30.72-1: On-Premises Signs								
Districts and/or Uses	Sign Regulations							
	Permitted Sign Types	Other Conditions	Maximum Area	Number of Signs	Height		Setbacks	Minimum Separations
C-1, C-2, M-D, M-1, M-2, H-2, U-V, R-V-P, P-F, and Special Uses Not Within a Residential District ^{2,7}	Animated	Electronic message units only permitted and then only in conjunction with freestanding or wall signs PLUS Minimum 2.5 second message display shall be followed by a break in message	100 sq. ft per sign which shall be included in total allowance for freestanding or wall signs	1 electronic message unit per street frontage	Same as freestanding or wall signs	Same as freestanding or wall signs	Same as freestanding or wall sign setbacks	300' from any freestanding sign on same side of street on same property AND minimum 200' from any residential development even when on same site
	Directional		12 sq. ft.	Same as residential		Same as residential	Same as residential	
	Freestanding* OR Multi-Vision* *see Residential Protection Standards	Shall be located within curbed landscaped or rockscaped area which extends no less than 2' from base of sign. May not be located along a freeway, unless a <i>project of regional significance</i> .	1.25 sq. ft. per linear foot of street frontage PLUS an additional 0.25 sq. ft. for tenant panels. ^{1,3,4,8}	1 per street frontage OR maximum of 2 for 1,000+ linear feet of street frontage AND monument signs may be substituted for freestanding signs ⁴	14' from grade to lowest point of sign when overhanging drive aisle	Same as maximum building height for the district ⁵ OR restricted height as required by Residential Protection Standards below ⁵	10' from street or future right-of-way OR same setback required for building when adjacent to residential development OR setbacks as required per Chapter 30.56 when along Las Vegas Boulevard	300' from any freestanding sign on same side of street on same property AND 60' from any single family residential use
	<p>Residential Protection Standards: Any freestanding sign which is located within 200' of, on the same side of the street as, and visible from a single family residential use <i>is subject to the following additional requirements:</i></p> <ol style="list-style-type: none"> Maximum height of 28' (also see footnote #5). <i>Exception:</i> Height may be increased up to 65' with a use permit to establish collocation of communication towers/antennas. May be directly illuminated with white light or internally illuminated. 							

Table 30.72-1: On-Premises Signs								
Districts and/or Uses	Sign Regulations							
	Permitted Sign Types	Other Conditions	Maximum Area	Number of Signs	Height	Setbacks	Minimum Separations	
C-1, C-2, M-D, M-1, M-2, H-2, U-V, R-V-P, P-F, and Special Uses Not Within a Residential District ^{2, 7}	Hanging	Visible bracing must be decorative	32 sq. ft.	1 per tenant	9' from grade if subject to pedestrian traffic OR 14' from grade if subject to vehicular traffic		Same as wall sign	
	Monument	Same as freestanding sign in C-1, C-2, etc.	70 sq. ft. (area of separate base not included)	1 per street frontage in lieu of freestanding sign PLUS 1 per pad site that shall only advertise business on same pad ⁴ (Also see Figure 30.72-1)		10'	2' from property line or future right of way OR same setback required for building when adjacent to residential development OR 2' back of property line or sidewalk, whichever is greater, when along Las Vegas Boulevard	100' from any monument sign on same side of street unless sign is located within sole vehicular access to adjacent development AND shall be non-illuminated or oriented to prevent direct illumination toward any single family residential use within 60'
	Multi-Vision*	*See Freestanding Sign						

Table 30.72-1: On-Premises Signs								
Districts and/or Uses	Sign Regulations							
	Permitted Sign Types	Other Conditions	Maximum Area	Number of Signs	Height		Setbacks	Minimum Separations
					Minimum	Maximum		
C-1, C-2, M-D, M-1, M-2, H-2, U-V, R-V-P, P-F, and Special Uses Not Within a Residential District ^{2, 7}	Nameplate	Must be mounted on a building façade	40 sq. ft.	1 sign per single-business site OR 2 signs per commercial/industrial complex entrance		Cannot extend above the height of wall	Shall not cross property line	
	Project Identification Sign	Must be located at primary entrance(s) or corners of a project AND must be constructed of materials and color accents that are consistent with the project's overall design theme	70 sq. ft. (area of separate base not included)	2 per project's primary entrance(s) and 1 per corner		10'	2' from property line or future right-of-way	None from other project identification signs AND 100' from any monument or freestanding sign
	Projecting	Visible bracing must be decorative	32 sq. ft.	1 per tenant	9' from grade if subject to pedestrian traffic OR 14' from grade if subject to vehicular traffic		Same as wall sign	
	Revolving	Shall not exceed 8 revolutions per minute PLUS all other standards for freestanding signs except number of signs		1 per commercial complex in lieu of freestanding sign				
	Trespassing/ Dumping Prohibited		Same as residential	Same as residential		Same as residential	Same as residential	Same as residential

Table 30.72-1: On-Premises Signs								
Districts and/or Uses	Sign Regulations							
	Permitted Sign Types	Other Conditions	Maximum Area	Number of Signs	Height		Setbacks	Minimum Separations
					Minimum	Maximum		
C-1, C-2, M-D, M-1, M-2, H-2, U-V, R-V-P, P-F, and Special Uses Not Within a Residential District^{2, 7}	Wall or Awning	Display surface shall be parallel to supporting wall, shall not project more than 3' from building, and shall not project beyond end, bottom, or top of wall to which sign is attached AND sign may not project from awning OR May be located on any parapet when the parapet is integral to the overall building design	For each building face, the permitted letter height times the width of building face	Unlimited number of signs per building face EXCEPT THAT signs shall not face adjacent residential development unless separated by a street		No maximum height for overall sign AND average letter height of 4' if development is less than 5 gross acres or 6' if 5 or more gross acres AND height of awning sign shall not exceed 50% of awning height	3' maximum intrusion into setback for sign and architectural intrusion combined	
H-1^{2, 6, 7}	Animated	Minimum 2.5 second minimum display for text messages and 4 second maximum for video or graphics followed by a break in message/video	150 sq. ft. for electronic message/video units AND all other sign area per design review approved by the Board	1 message/video unit per commercial complex OR 1 per street for resort hotel PLUS additional message units and other animated wall signs for resort hotels per design review approved by the Board		Same as building height	Same as freestanding or wall sign in H-1 PLUS minimum 200' from residential development outside the H-1 district	100' from any other freestanding sign
	Directional		32 sq. ft.	Same as residential		9'	Same as residential	

Table 30.72-1: On-Premises Signs								
Districts and/or Uses	Sign Regulations							
	Permitted Sign Types	Other Conditions	Maximum Area	Number of Signs	Height		Setbacks	Minimum Separations
					Minimum	Maximum		
H-1 ^{2, 6, 7}	Freestanding OR Multi-Vision	Sign shall be located within curbed landscaped or rockscaped area which extends no less than 2' from base of sign AND may not be located along a freeway unless a <i>project of regional significance</i> . PLUS design review approved by the Board required for sign area over 500 sq. ft. in conjunction with resort hotels	5 sq. ft. per linear foot of street frontage PLUS area for signs in conjunction with resort hotels may be increased per design review approved by the Board ^{1,3,4, 8}	1 per 100 linear feet of street frontage	Same as freestanding sign in C-1, C-2, etc.	Same height as building ⁵ OR per design review approved by the Board for height over 50'	Same as freestanding sign in C-1, C-2, etc.	100' from any other monument or freestanding sign on same side of street on same property
	Hanging	Visible bracing must be decorative	32 sq. ft. OR per design review approved by the Board	1 per tenant	9' from grade if subject to pedestrian traffic OR 14' from grade if subject to vehicular traffic		Same as wall sign	Projecting/

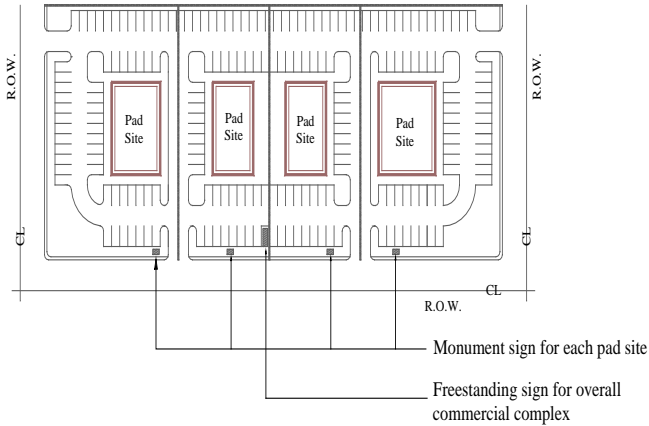
Table 30.72-1: On-Premises Signs								
Districts and/or Uses	Sign Regulations							
	Permitted Sign Types	Other Conditions	Maximum Area	Number of Signs	Height		Setbacks	Minimum Separations
					Minimum	Maximum		
H-1 ^{2, 6, 7}	Monument	Sign shall be located within curbed landscaped area which extends no less than two 2' from base of sign	70 sq. ft. (area of separate base not included)	1 per 100 linear feet of street frontage		10'	2' from property line or future right of way OR 2' from back of property line or sidewalk, whichever is greater, when along Las Vegas Boulevard	100' from any monument or freestanding sign on same side of street on same property
	Multi-Vision*	*See Freestanding Sign						
	Project Identification Sign	Must be located at primary entrances(s) or corners of a project AND must be constructed of materials and color accents that are consistent with the project's overall design theme	70 sq. ft. (area of separate base not included)	2 per project's primary entrance(s) and 1 per corner		10'	2' from property line or future right-of-way	None from other project identification signs AND 100' from any monument or freestanding sign
	Projecting	Visible bracing must be decorative	32 sq. ft. OR per design review approved by the Board	1 per tenant	9' from grade if subject to pedestrian traffic OR 14' from grade if subject to vehicular traffic		Same as wall sign	
Revolving	Shall not exceed 8 revolutions per minute AND all other standards for freestanding signs except number of signs	Area per design review approved by the Board	1 per commercial complex or resort hotel in lieu of freestanding sign PLUS additional signs per design review approved by the Board					

Table 30.72-1: On-Premises Signs								
Districts and/or Uses	Sign Regulations							
	Permitted Sign Types	Other Conditions	Maximum Area	Number of Signs	Height		Setbacks	Minimum Separations
					Minimum	Maximum		
H-1 ^{2, 6, 7}	Trespassing/ Dumping Prohibited		Same as residential	Same as residential		Same as residential	Same as residential	Same as residential
	Wall or Awning	Same as wall sign in C-1, C-2, etc. AND only animated raceways may project from an awning	For each building face, an average permitted letter height times the width of building PLUS additional area for signs in conjunction with resort hotels per design review approved by the Board	Unlimited number of signs per building face AND businesses within resort hotel may be advertised on freestanding or wall signs at maximum 100 sq. ft. per business AND signs shall not face adjacent residential development not separated by a street		No maximum height for overall sign AND average letter height of 8' for non-resort development or 10' for resorts AND height of awning sign shall not exceed 50% of awning height AND average letter height for wall signs in conjunction with resort hotels may be increased per design review approved by the Board	Maximum 3 foot intrusion into setback for sign and architectural intrusion combined	
O-S	As determined by Commission or Board							

Table 30.72-1: On-Premises Signs								
Districts and/or Uses	Sign Regulations							
	Permitted Sign Types	Other Conditions	Maximum Area (limits w/in 4 right angles except wall/awning signs)	Number of Signs	Height		Setbacks	Minimum Separations
					Minimum	Maximum		
<p>Footnotes for Table 30.72-1:</p> <ol style="list-style-type: none"> 1. If a building fronts on more than 1 street, then only 1 of the street frontages shall be used in computing the area shown above. 2. Residential development shall comply with the restrictions for residential districts. 3. Price signs required by NRS 590.220 shall be included within permitted signs. Separate signs are not permitted. 4. Pad site located on a corner within multi-user complex may have an additional freestanding sign and monument sign (total of 3 signs) for pad site, beyond what is allowed for the complex. Maximum area for freestanding sign shall be determined by the linear frontage of the pad site. Sign need only be separated by 200 feet from other freestanding signs within the complex. 5. The maximum height of an on-premises advertising structure for a <i>project of regional significance</i> which is oriented toward the roadway and whose nearest edge is within 60 feet of an elevated roadway may be extended to a maximum height of 30 feet above the grade of the travel lane of the roadway. 6. A freestanding sign with both on-premises and off-premises advertising which is in conjunction with a resort hotel shall be treated as a freestanding sign subject to: 1) approval of a design review; and 2) the sign complies with all other regulations for on-premises freestanding signs. In no case shall a sign be constructed which will obscure the view of the street or freeway upon which the motorist is traveling. 7. Property located within any overlay district is subject to additional requirements and restrictions per Chapter 30.48 (see respective PARTS). 8. Maximum sign area applies to all signs on the property. <p>(Ord 4275 § 12 (part), 3/2015; Ord. 4096 § 3, 4/2013; Ord. 4077 § 15 (part), 2/2013; Ord. 3970 § 8 (part), 8/2011; Ord. 3924 § 12 (part), 1/2011; Ord. 3848 § 11 (part), 2/2010; Ord 3805 § 9, 9/2009; Ord. 3757 § 11, 4/2009; Ord. 3635 § 11 (part), 6/2008; Ord. 3518 § 15, 5/2007; Ord. 3472 § 13 (part), 1/2007; Ord. 3432 § 12 (part), 10/2006; Ord. 3397 § 12 (part), 6/2006; Ord. 3354 § 12, 2/2006; Ord. 3174 § 9, 1/2005; Ord. 3160 § 15 (part), 11/2004; Ord. 3106 § 13, 8/2004; Ord. 3061 § 6 (part), 5/2004; Ord. 3019 § 7 (part), 2/2004; Ord. 2832 § 7, 12/2002; Ord. 2787 § 5, 9/2002)</p>								

Figure 30.72-1 Monument Signs

Shared access between buildings / Separate properties



(Ord. 2573 § 15 (part), 2001; Ord. 2551 § 1, 2001)

30.72.055 Comprehensive Sign Plan. Requests to modify the regulations for signs within the C-P zoning district per Table 30.72-1 shall be reviewed through a comprehensive sign plan application.

- a. **Review.** The comprehensive sign plan shall be reviewed through a design review application, shall be heard as a public hearing and approved by the Board. All applications shall be evaluated based on impacts to surrounding residential uses, the distance from the buildings to the street, the proximity of the signs to building entrances and tenant spaces, the use of adequate address display, and the scale, proportion and design of the signs as an integral part of the architecture of the building(s).
- b. **Plans.** Detailed plans shall be submitted addressing the following:
 1. Sign dimensions, including a maximum sign area for all signs.
 2. Color scheme.
 3. Lighting.
 4. Location of each sign on the building and on the ground.
 5. Construction materials.
- c. **Sign Standards.** Signs shall conform to the following, which cannot be waived or varied:
 1. Wall signs shall be constructed only of pan channel letters (no cabinet or can signs).
 2. Letters for wall signs shall only be illuminated internally (front or backlit lighting). There shall be no exposed lighting or lighting source.

3. Monument and project identification signs may be illuminated provided signs are directly lit (up-lit or down-lit only).
 4. No animation or electronic message units or display are permitted.
 5. The color and design of signs shall complement the architecture of all buildings within the complex. The same color scheme shall be used for all signs throughout the site.
 6. A common lettering style shall be used for all signs throughout the site.
- d. **Approval.** Approval of the comprehensive sign plan by the Board shall establish the sign design and criteria for the site. The wall sign area approved for each tenant space shall not be transferred to another tenant space within the same complex. No waivers or variances are permitted to the standards approved within the sign plan; any request for a modification shall require submittal of a new comprehensive sign plan application. (Ord. 4096 § 4, 4/2013)

30.72.060 DELETED – Off-Premises Signs. (Ord 4275 § 12 (part), 3/2015; Ord. 3061 § 7 (part), 5/2004; Ord 3019 § 8 (part) 2/2004; Ord 2981 § 5 (part) 11/2003; Ord. 2907 § 12, 7/2003; Ord. 2852 § 2, 2/2003; Ord. 2851 § 4, 5 & 6, 2/2003; Ord. 2850 § 1 (part), 2/2003; Ord. 2725 § 4, 3/2002)

<p>Table 30.72-2 DELETED – Off-Premises Sign Requirements. (Ord 4275 § 12 (part), 3/2015; Ord. 3061 § 7 (part), 5/2004; Ord 2981 § 5 (part), 11/2003; Ord 2851 § 7, 2/2003)</p>
--

Figure 30.72-2 – DELETED – Off-Premises Setback From Intersection. (Ord 4275 § 12 (part), 3/2015; Ord. 3061 § 7 (part), 5/2004; Ord 3019 § 9, 2/2004)

Figure 30.72-3 – DELETED – Off-Premises Signs Along I-215 West of Warm Springs Road.
(Ord 4275 § 12 (part), 3/2015; Ord. 3061 § 7 (part), 5/2004; Ord 2981 § 5 11/2003; Ord. 2851 § 8, 2/2003)

30.72.070 Temporary Signs. Temporary signs may be permitted in any zoning district subject to the provisions provided herein and compliance with Section 30.72.040. Any sign not specifically defined as a temporary sign shall satisfy the requirements for on-premises signs, established in Section 30.72.050 and Table 30.72-1. Permitted temporary signs and their regulations are listed in Table 30.72-3.

1. **Sign Permits.** Sign permits shall be required for all temporary for sale or lease signs, except for non-commercial signs, temporary signs, whose total area is 16 sq. ft. or less, and temporary construction signs painted onto temporary construction fences. An application for a sign permit for the construction, placement or installation of a new sign or modification of an existing sign shall be filed with the Building Official on forms so provided. The permit application shall, at a minimum, be accompanied by the following material:
 - A. Three copies of the most recent Assessor's parcel map for the parcel, 3 copies of detailed drawings to show the dimensions, design, advertising copy, structure and location of each particular sign.
 - B. Evidence of the property owner's approval of the sign installation, such as a lease or other signed agreement, is required for off-premises for sale signs, except weekend directional signs (3 copies).

- C. One application and permit may include multiple signs, provided they are permitted on the same lot or parcel of land, except for weekend directional signs, which need not be on the same lot or parcel.
 - D. Changing the copy on a sign shall not require the approval of a new permit if the sign still advertises the original subdivision, as shown on the approved tentative map.
2. **Sign Permit Fee.** An application for a sign permit shall be accompanied by a fee made payable to the County, as required by Chapter 30.80.
3. **Requirements Waived.**
- A. Temporary signs do not require installation of paved parking, landscaping, wall-enclosed trash areas or off-site improvements.
 - B. Temporary construction signs that are painted onto temporary construction fences allowed by the Building Official are exempt from the size, setback, and right-of-way restrictions otherwise required per Table 30.72-3 and may be located wherever the temporary construction fence is allowed.
4. **Violations.** Whenever a temporary sign is found to be in violation of the provisions of this Title, the Clark County Code or of any other ordinance or law, the County shall order that such sign be brought in compliance with the provisions of the this Title, the Clark County Code or of any other ordinance or law. The order may require the alteration, repair, reconstruction, demolition, relocation or removal as may be appropriate. Any work required to be done shall, unless a different time is specified, be completed within 10 days of the date of such order.
5. **Removal of Temporary Signs.** In addition to the criminal penalties, Clark County is authorized to remove temporary signs or other advertising displays in the following manner.
- A. Any temporary sign or advertising display unlawfully located in the public right-of-way, or on private or public property without the owner's consent, or which causes the threat of immediate peril or menace to the public may be removed without notice. Within 10 working days, notice shall be sent by United States Mail to the property owner and the beneficial user of the sign, if such user can reasonably be identified, informing them of the action taken and that the sign may be reclaimed upon payment of the prescribed fee and within the time set forth under Subsection (7A) of this Section.
 - B. Any temporary sign or other advertising display placed on the property with the owner's consent, but not in conformance with the provisions of this Chapter, may also be removed by Clark County, or its agents, provided that the owner of the property and the beneficial user of the sign, if such user can reasonably be identified, have been either served personally or by first-class United States Mail with the written notice 15 days in advance of the pending removal action.
 - i. Such notice shall be valid for a period of 1 year from the date of the notice. If a sign advertising the same product is placed on the same or any other property within 1 year of the date of the notice, it is subject to immediate removal by virtue of the prior notice.
 - ii. The written notice must advise the property owner or beneficial user that they may request a hearing pursuant to Subsection (6) of this Section and if the written request for a hearing is received by Clark County within 10 days from the date of the written notice, the County's action toward removal of the sign shall be stayed until a hearing is held and a decision made pursuant to Subsection (6) of this Section.

- C. If a hearing on the impounding of the sign is not timely requested, or if the sign is not returned at the owner's request in accordance with the provisions of this Chapter, Clark County may sell or otherwise dispose of the sign and deposit the proceeds, if any, from any such sale or other disposition in the County Treasury.

6. Hearings on Violation and Impoundment.

- A. Any owner or beneficial user who has received a notice that a temporary sign is in violation of this Section may within the time set forth in Subsection (6B) of this Section request a hearing before the Hearing Officer.
- B. Any owner or beneficial user maintaining a temporary sign which has been impounded pursuant to Subsection (5)(A) or (B) of this Section may at any time within 30 days of the impoundment request a hearing before the Hearing Officer.
- C. All requests for hearing shall specify the name and address where the person requesting the hearing may be contacted and shall state in specific detail the reasons for the hearing request.
- D. A timely request for a hearing made prior to impounding the sign shall not be impounded until 5 working days after the decision is rendered.
- E. A hearing shall be held, unless continued by agreement, within 10 working days of the request for a hearing. At the hearing, any person may present evidence or argument as to whether the sign was in violation of this Chapter or whether the sign should be returned without payment of an impound fee.
- F. A written decision shall be rendered within 5 judicial days after the close of the hearing. The Hearing Officer may give oral notice of the decision at the close of the hearing and must also send notice of the decision by first-class mail.
- G. The decision of the Hearing Officer shall be considered final and the County may take any action permitted by that decision concerning removal of the temporary sign or other advertising 5 days after written decision is mailed.

7. Return or Destruction of Impounded Temporary Signs.

- A. The owner or beneficial user, after providing sufficient proof of ownership of a temporary sign may, at any time up to and including 30 days after the impounding, or if a hearing pursuant to this Chapter is held concerning the sign, may, at any time up to and including within 10 days after the decision at such hearing becomes final, obtain a return of the sign upon paying an impound fee of \$100 for a sign other than a weekend directional sign, or \$10 for a weekend directional sign, plus the reasonable additional special itemized costs, if any, of impounding the sign in excess of the required impound fee. In the event sufficient proof of ownership is not provided, the sign(s) will not be returned nor impound fees accepted and the sign(s) will be disposed.
- B. The Hearing Officer, after a hearing in accordance with this Chapter, and a determination that the impound was improper, may order the sign returned without payment of any impound fee, or if an impound fee has been paid, may order the return of any such impound fee. (Ord 4275 § 12 (part), 3/2015; Ord. 3970 § 7 (part), 8/2011; Ord. 3924 § 12 (part), 1/2011; Ord. 3635 § 11 (part), 6/2008; Ord. 3549 § 12, 9/2007; Ord 3209 § 12 (part), 3/2005; Ord 3160 § 15 (part), 11/2004; Ord 3019 § 10 (part), 2/2004; Ord. 2505 § 3, 2000)

Table 30.72-3 Temporary Signs⁶					
Regulation	Construction or On-Premises For Sale Sign	Off-Premises For Sale Sign¹	Non-Commercial	Special Attraction/Promotion	Weekend Directional¹
Where Allowed	On the parcel or within the area included within the approved development plan or tentative map.	On a vacant lot within 6 miles of the buildings, units or lots they are advertising.	Any zoning district.	At the same location or within same commercial complex as existing licensed/permitted use conducting the promotion. If not in conjunction with a temporary outdoor commercial event or seasonal sales, shall receive approval in accordance with Table 30.16-5	Same as off-premises “for sale” signs.
Time limit	Construction sign: After land use approval until 15 days after completion of the project. On-premises for sale sign: After product is offered for sale, rent or lease until 15 days after transaction on last unit, or within 2 years, whichever occurs first. The time limit may be extended for 2 year increments.	After product is offered for sale until 15 days after transaction on last unit, or within 2 years, whichever occurs first. The time limit may be extended for 2 year increments. ²	No time limit.	For resort hotels: No limit on the number of events, maximum 10 days per event, except for the entire month of December. For other commercial, industrial, and special development: maximum 1, 10 day event in a calendar month, except for the entire month of December, with no more than 6 total events over 1 calendar year. For model homes or apartments in residential developments: maximum 1, 3 day event in a calendar month with no more than a total of 6 events per calendar year. Special attraction/promotional signs must be removed immediately after the sign permit or the administrative temporary use expires.	From 6 p.m. on Friday to 6 a.m. on the next working day.
Area⁴	Single-family residential districts: 16 square feet PLUS 16 sq. ft. for each 20,000 sq. ft. of lot area over the first 20,000 sq. ft. Multi-Family, CRT, C-P and P-F Districts: 32 sq. ft. PLUS 32 sq. ft. for each 20,000 sq. ft. of lot area over the first 20,000 sq. ft. All other districts: 80 sq. ft. for first 20,000 sq. ft. of lot area PLUS 40 sq. ft. for each 20,000 sq. ft. of lot area over the first 20,000 sq. ft.	2 - 128 sq. ft. maximum signs PLUS 4 - 96 sq. ft. maximum signs PLUS 2 - 40 sq. ft. maximum signs An embellishment not exceed 20% of the sign area may be added to each sign face. ³	Within residential development, 16 sq. ft. for each, 80 square feet total. All other areas, 128 sq. ft.	Same as construction PLUS For residential, CRT, C-P and P-F, 1 - 3 foot by 5 foot flag for each 20,000 sq. ft. All others 64 sq. ft. per each 20,000 sq. ft.	4 sq. ft.

Table 30.72-3 Temporary Signs⁶					
Regulation	Construction or On-Premises For Sale Sign	Off-Premises For Sale Sign¹	Non-Commercial	Special Attraction/Promotion	Weekend Directional¹
Height	<i>Residential, CRT, C-P and P-F Districts:</i> Twenty-two (22) feet. <i>All other districts:</i> Thirty (30) feet.	20 feet PLUS 3 feet maximum embellishment.	15 feet for residential development. 30 feet for vacant or other development.	Same as construction.	4 feet.
Separation	25 feet from any single family residential development. 50 from all other development.	100 feet from any single-family residential development. 200 feet from any temporary off-premises sign or “for sale” sign oriented toward the same side of the street, or an 80 foot radius, whichever is greater. 100 feet from any sign other than a temporary sign, except for directional signs, on the same side of the street, or an 80 foot radius, whichever is greater. 50 feet from a temporary on-premises “for sale” sign or temporary construction sign.	None.	Same as construction.	None.
Setback	10 feet from right-of-way.	10 feet from a right-of-way.	10 feet from right-of-way.	Same as construction except a 3 foot by 5 foot flag need only be setback 5 feet from property line.	10 feet from right-of-way.

Table 30.72-3 Temporary Signs⁶					
Regulation	Construction or On-Premises For Sale Sign	Off-Premises For Sale Sign¹	Non-Commercial	Special Attraction/Promotion	Weekend Directional¹
Number of Signs⁴	<i>Residential, CRT, C-P and P-F Districts:</i> 1 PLUS 1 for each 5 acres over 5 acres. <i>All other districts:</i> no limit providing maximum area is not exceeded.	8 per final map. A sign advertising more than one subdivision on the same sign face shall be counted as 1 sign against only 1 of the subdivisions.	No limit.	Same as construction.	Maximum of 5 signs per lot for sale but no more than 70 per separately mapped subdivision.
Footnotes to Table 30.72-3					
<ol style="list-style-type: none"> 1. Any off-premises for sale sign adjacent to a road or highway included in the National Highway System, including I-15, I-515, US Highway 93, US 95, I-215, Rainbow Boulevard from the intersection of Sahara Avenue south to Tropicana Avenue, and Tropicana Avenue from the intersection of Rainbow Boulevard east to I-515 (US 95), shall submit evidence of approval by the Nevada Department of Transportation prior to the issuance of any permit. 2. A permit for a competing sign, which if constructed would preclude the renewal of the permit for an existing sign, shall not be issued until the Code Enforcement Manager has verified that the existing sign has been removed. 3. Smaller signs may replace larger signs. 4. Signs required for neighborhood casinos shall conform to the use conditions established in Table 30.44-1. 5. Exemptions for temporary construction signs painted onto temporary construction fences are established in Section 30.72.070. 6. Temporary signs shall not be placed within right-of-way and must have property owner's permission to place sign on lot. <p>Temporary signs need not conform to the restrictions under Chapter 30.56. (Ord. 4770 § 13, 3/2020; Ord 4275 § 12 (part), 3/2015; Ord. 3924 § 12 (part), 1/2011; Ord. 3848 § 11 (part), 2/2010; Ord 3586 § 10, 2/2008; Ord. 3432 § 12 (part), 10/2006; Ord. 3397 § 12 (part), 6/2006; Ord. 3355 § 7, 2/2006; Ord 3209 § 12 (part), 3/2005; Ord 3160 § 15 (part), 11/2004; Ord 3019 § 10 (part), 2/2004)</p>					